

**M12 male 90° / male 90° shielded X-cod. Gigabit**

TPE 4x2x26AWG SF/UTP CAT6a bu UL/CSA, CMR 7,5m

Ethernet CAT6A

The resistance to aggressive media should be individually tested for your application. Further details on request.

Male 90° – male 90°

M12 – M12, 8-pole

X-coded

shielded

without cable sleeves

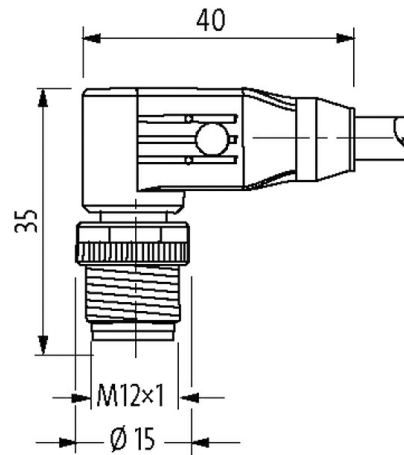
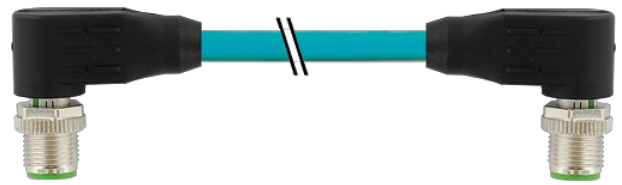
Transmission properties with channel transmission up to 50 m

Further cable lengths on request.

Plastic housings with good resistance against chemicals and oils.

[Link to Product](#)

Illustration



1	white/orange	1
2	orange	2
3	white/green	3
4	green	4
5	white/brown	5
6	brown	6
7	white/blue	7
8	blue	8
shield		

Product may differ from Image

## Approvals



\* only for products with UL/CSA approved cable

## More Info



EtherNet/IP

## Form

Form

51021

## General data

Standards	DIN EN 61076-2-109 (M12)
Mounting method	inserted, tightened
Pollution Degree	3
Temperature range	-25...+85 °C, depending on cable quality
<b>Cables</b>	
Cable number	S4X
No./diameter of wires	4 × 2 × 0.14 mm <sup>2</sup>
Wire isolation	HDPE (whbl, bl, whor, or, whgn, gn, whbr, br)
C-track properties	1 Mio.
Jacket Color	blue
Material (jacket)	TPE (UL/CSA)
Outer Ø	7.4 mm ±5%
Bend radius (moving)	10 × outer Ø
Temperature range (fixed)	-40...+80 °C
Temperature range (mobile)	-20...+80 °C
Cable identification	S4X
Approval (cable)	UL (AWM-Style 2463/11547), CSA
Cable weight [g/m]	65,48
Material (wire)	Cu wire, tin plated
Resistor (core)	max. 140 Ohm/km
Single wire Ø (core)	0.16 mm
Construction (core)	7 × 0.16 mm
Diameter (core)	4 × 2 × 0.14 mm <sup>2</sup>
Material (wire isolation)	HDPE
Wire-Ø incl. isolation	0.9 mm ±5%
Color/numbering of wires	(wh-bl, bl) + (wh-or, or) + (wh-gn, gn) + (wh-br, br)
Shield	yes
	min. 75%
Material (jacket)	TPE
Outer-Ø (jacket)	7.4 mm ±5%
thermal resistance	flame retardant
Nominal voltage	600 V
Test voltage	max. 1.5 kV AC (2s)
Temperature range (fixed)	-40...+80 °C
Temperature range (mobile)	-20...+80 °C
Bend radius (fixed)	5 × outer Ø
Bend radius (moving)	10 × outer Ø
No. of bending cycles (C-track)	max. 10 Mio. (25 °C)
Traversing distance (C-track)	max. 0.6 m
Travel speed (C-track)	max. 1.2 m/s
Acceleration (C-track)	max. 2.4 m/s <sup>2</sup>
No. of torsion cycles	max. 3 Mio. (25 °C)
Torsion speed	60 cycles/min
	max. 1000 mOhm/m @ 100 MHz
	max. 280 Ohm/km
	100 Ohm @ 100 MHz
<b>Technical Data</b>	
Operating voltage	max. 50 V AC/60 V DC

Operating voltage (only UL listed)	30 V AC/DC
Rated surge voltage	1.5 kV
Operating current per contact	max. 0.5 A
Material group	IEC 60664-1, category I
No. of poles	8
Transfer parameters	CAT6, Class EA (ISO/IEC 11801:2002), (EN 50173-1)
Transfer rate	10 Gbit/s
Coding	X-coded
LED display	no
Locking of ports	Screw thread (M12×1 mm) recommended torque 0.6 Nm, self-securing
Compression gland	M12 (SW13)
Protection	IP67 inserted and tightened (EN 60529)
Locking material	Zinc die casting, matte nickel plated
Material	PUR
suitable for corrugated tube (internal Ø)	without

#### Commercial data

country of origin	DE
customs tariff number	85444290
EAN	4048879699792
eClass	27279221
Packaging unit	1